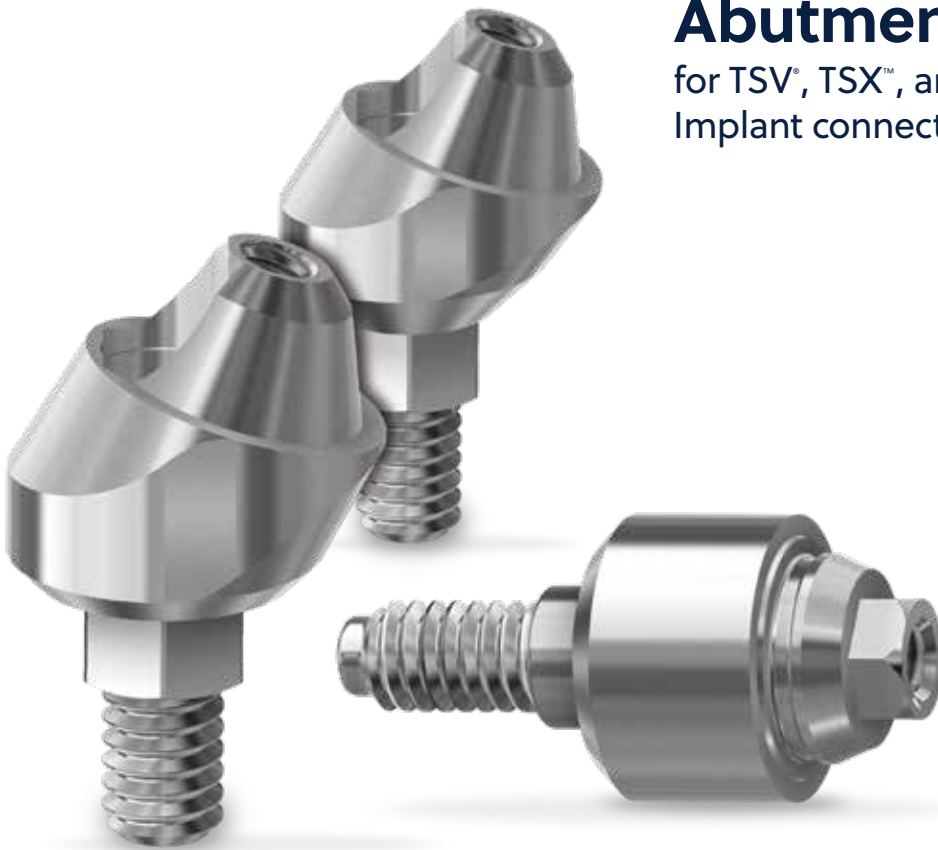




Stability and efficiency
in every case



Universal Multi-Unit Abutments

for TSV®, TSX™, and Eztetic®
Implant connections



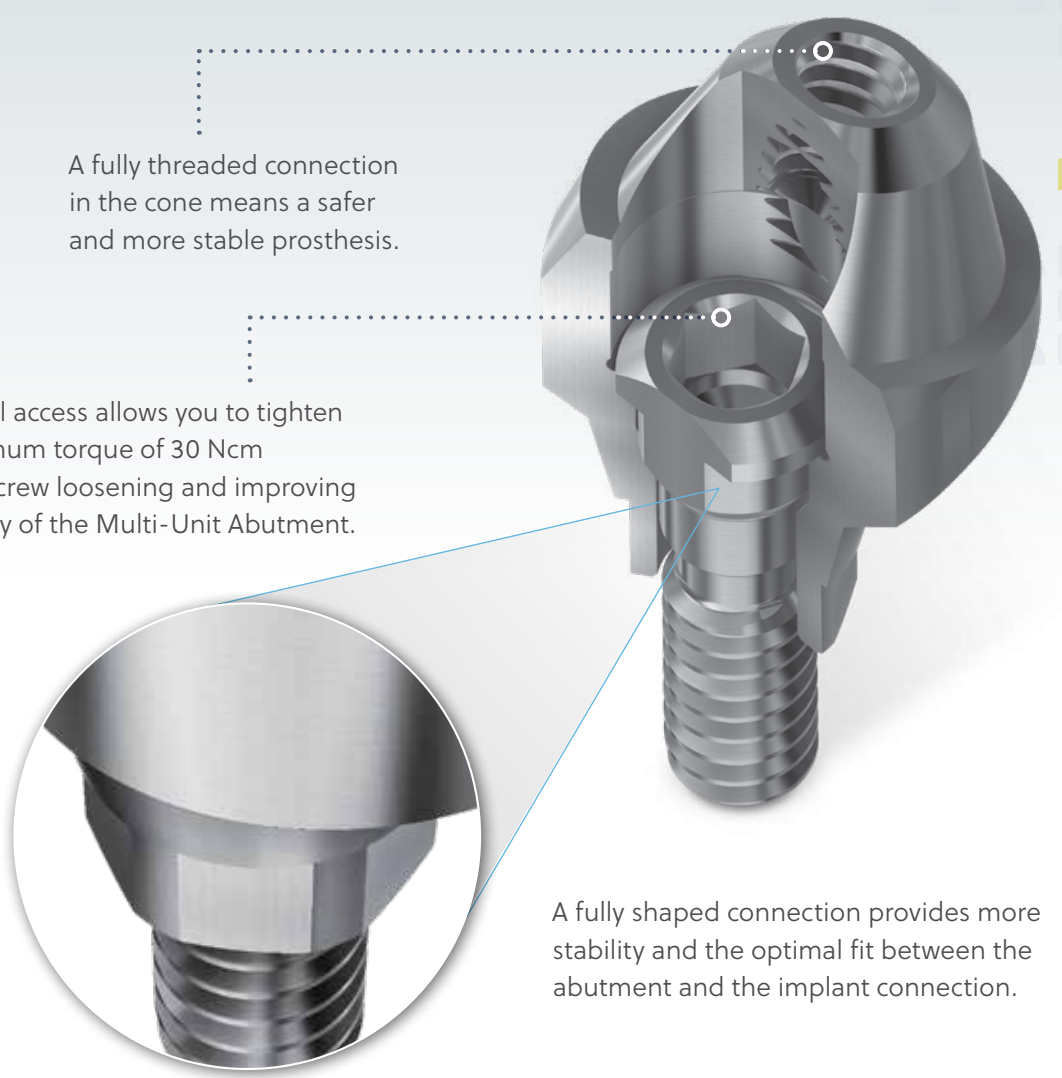


The Universal Multi-Unit Abutment

A complete solution with a digital workflow for screw retained restorations.

An extensive range of abutment angles and collar heights for TSV, TSX, and Eztetic Implant connections make it the ideal choice for your clinical requirements.





A fully threaded connection in the cone means a safer and more stable prosthesis.

The vertical access allows you to tighten to a maximum torque of 30 Ncm avoiding screw loosening and improving the stability of the Multi-Unit Abutment.

A fully shaped connection provides more stability and the optimal fit between the abutment and the implant connection.

Simplicity and flexibility in your practice

4.8 mm restorative platform

Streamline your armamentarium and reduce your inventory requirements


2.2 mm restorative height

Create functional aesthetic restorations in limited interarch spaces, even when angle correction is necessary

17° and 30° angled abutments

Provide angulation correction for off-axis implant placement



 All our Multi-Unit Abutments include a carrier allowing you to easily place and position the abutment.

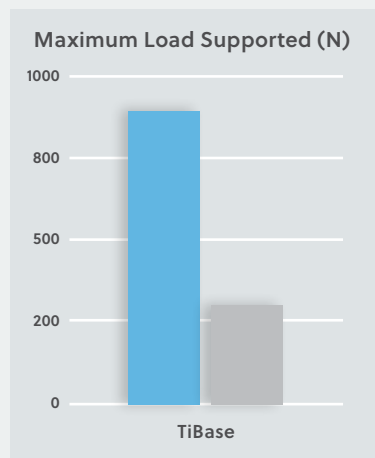
Universal TiBase available in multiple gingival heights giving you more options in treatment planning.

Improved retention
up to 500%

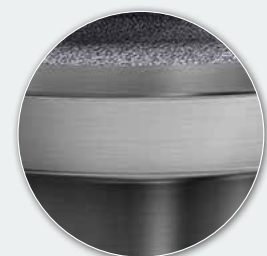
..... A unique, patented, sandblasted treatment improves the retention levels of the cemented prosthesis.

Without treatment, the load that can be supported before the bond between the superstructure and TiBase breaks is much lower.

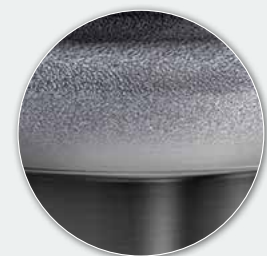
In-house sandblasting means more chair time and if it is not performed properly (below the collar), it can increase the risk of gingivitis.



■ With surface treatment
■ Without surface treatment



Pretreated



In-house





The Universal Advantage

Compliment your digital workflow.

Implant Analog

Implant Analogs can be used in both stone or 3D printed models for cases using TSV, TSX, or Eztetic Implants.



Scan Body and Impression Coping

Use the Universal Scan Body to work on your CAD/CAM System or take an impression with the Universal Impression Transfers (closed or open tray).



OverdenSURE® Attachment

Transform a fixed prosthesis into a removable overdenture with our OverdenSURE Universal Attachment.

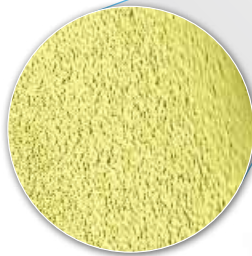




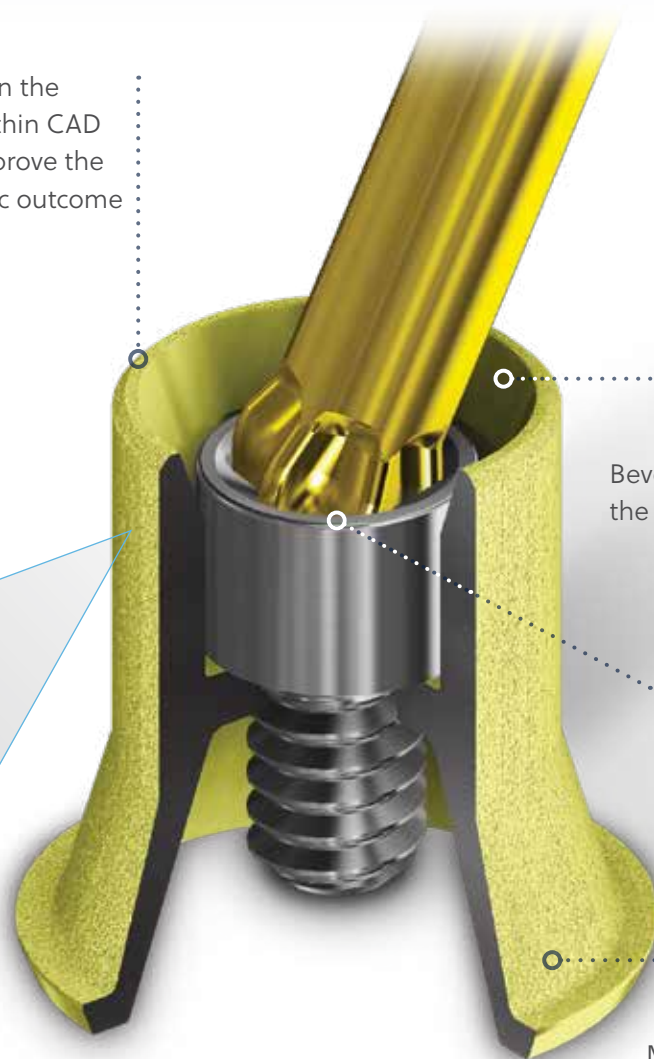
Universal Angulated Screw Channel TiBase

Allows you to access limited spaces.

Up to 30% reduction in the emergence design within CAD libraries to further improve the flexibility and aesthetic outcome



Cement shaft with a unique patented surface treatment for optimal crown retention



Beveled edge optimizes the driver angulation

The angulated TiBase screw and driver allows for up to 25° angulation with the recommended torque

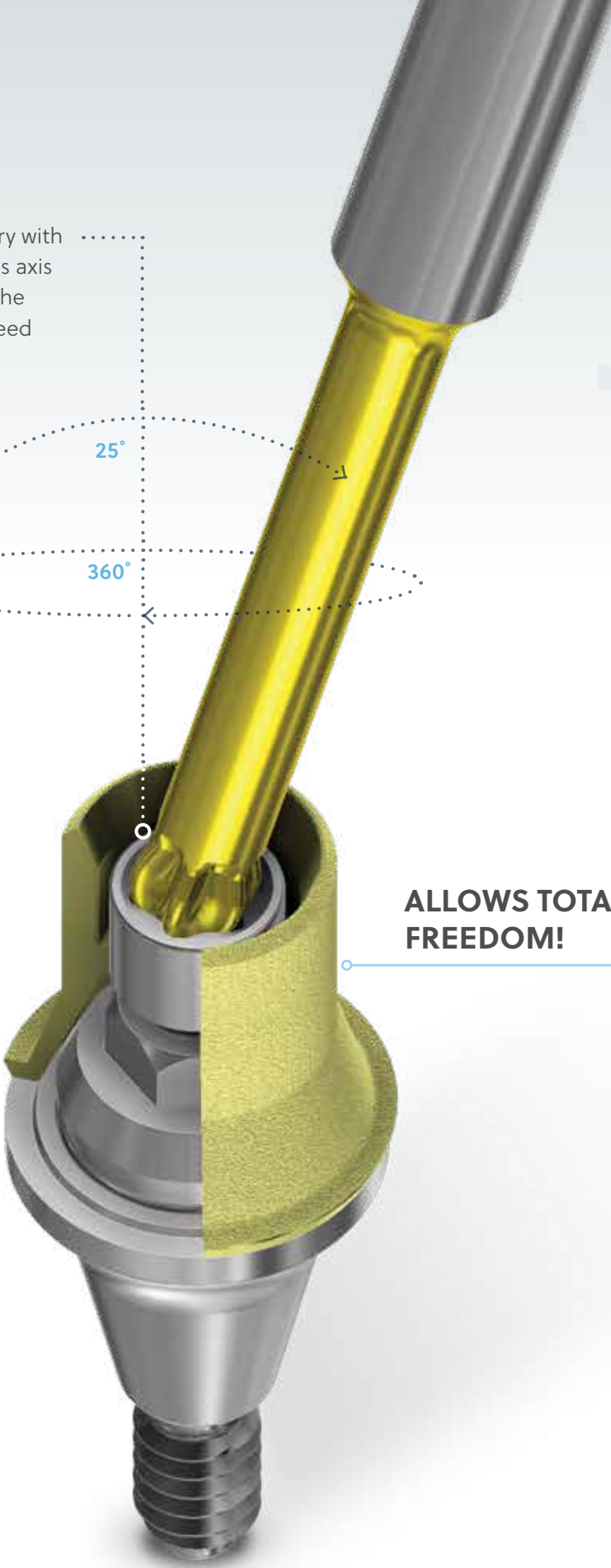
Made of Titanium Grade V ELI with a gold anodized surface finish



Additional 25° entry with
360° rotation on its axis
allows you to get the
exact angle you need



**ALLOWS TOTAL
FREEDOM!**



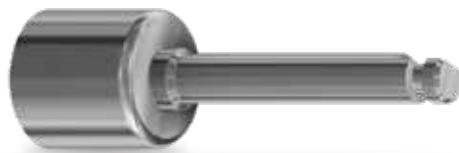


Universal Multi-Unit Overview



Place straight Multi-Units by hand and snap the carrier out.

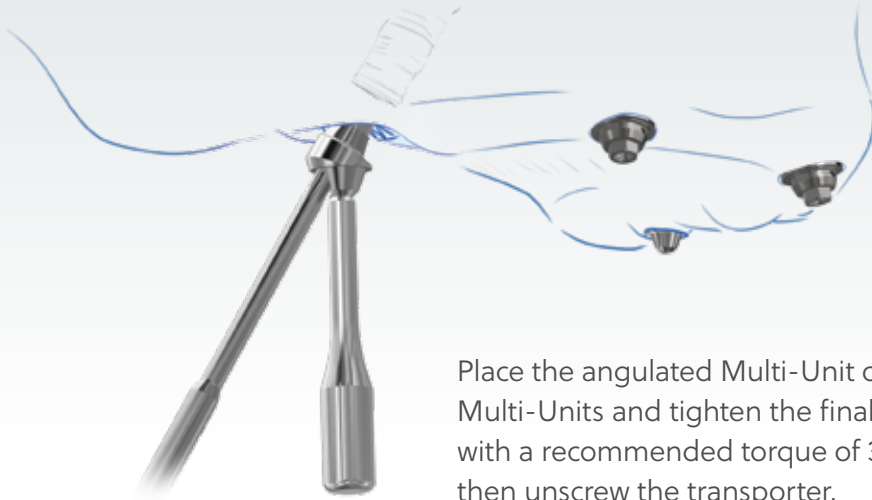
Use the Multi-Unit Driver (UMUA-D) with a manual Torque Wrench (TWR) or the manual Low-Torque Indicating Ratchet Wrench (L-TIRW) and ISO Latch 4x4 Adapter (ISO4X4A) to tighten the straight Multi-Unit Abutment with a recommended torque of 30 Ncm.



ISO LATCH, 4X4 DRIVER: ISO4X4A



MULTI-UNIT DRIVER: UMUA-D



Place the angulated Multi-Unit or Multi-Units and tighten the final screw with a recommended torque of 30 Ncm, then unscrew the transporter.

Use the Universal Scan Bodies to work with RealGUIDE™ or take an impression using our impression transfers (closed or open tray).



Intraoral
Scan Body
UMUA-SBIO



Impression
Coping
UMUA-OTIC

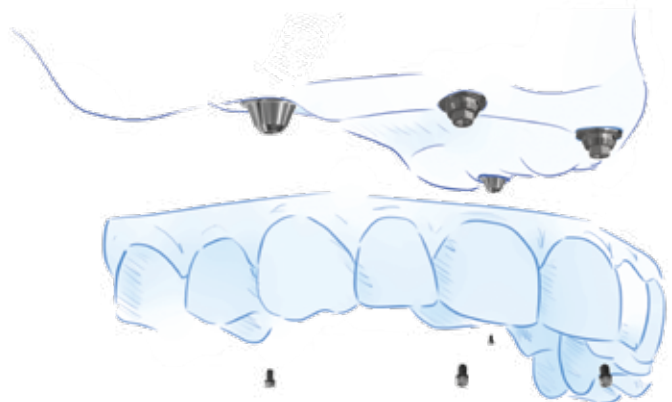


Impression
Coping
UMUA-CTICL

Insert fixed prosthesis and tighten the prosthetic screws by alternating left and right side.

Finally tighten the prosthetic screws at a maximum of 15 Ncm.

Close the chimney with temporary material.





Universal Multi-Unit System Overview

Ordering Information

Universal Straight Abutments for TSX™ and Eztec® Implant Systems

Non-engaging, does not engage in the internal hex connection. Not for use in single unit restorations.

Implant Platform	Collar Height				
	1.0 mm	2.0 mm	3.0 mm	4.0 mm	5.0 mm
NP (2.9 mmD)	UMUA-NP291S	UMUA-NP292S	UMUA-NP293S	UMUA-NP294S	UMUA-NP295S
3.5 mmD	UMUA-TSV351S	UMUA-TSV352S	UMUA-TSV353S	UMUA-TSV354S	UMUA-TSV355S
4.5 mmD	UMUA-TSV451S	UMUA-TSV452S	UMUA-TSV453S	UMUA-TSV454S	UMUA-TSV455S



Universal Straight Abutments for TSV® Implant System

Non-engaging, does not engage in the internal hex connection. Not for use in single unit restorations.

Implant Platform	Collar Height				
	1.0 mm	2.0 mm	3.0 mm	4.0 mm	5.0 mm
3.5 mmD	UMUA-TSV351S	UMUA-TSV352S	UMUA-TSV353S	UMUA-TSV354S	UMUA-TSV355S
4.5 mmD	UMUA-TSV451S	UMUA-TSV452S	UMUA-TSV453S	UMUA-TSV454S	UMUA-TSV455S
5.7 mmD	UMUA-TSV571S	UMUA-TSV572S	UMUA-TSV573S	UMUA-TSV574S	UMUA-TSV575S



Universal Angled Abutments, 17° for TSX and Eztec Implant Systems*

Implant Platform	Collar Height	
	2.5 mm	3.5 mm
NP (2.9 mmD)	UMUA-NP2925-17S	UMUA-NP2935-17S
3.5 mmD	UMUA-TSV3525-17S	UMUA-TSV3535-17S
4.5 mmD	UMUA-TSV4525-17S	UMUA-TSV4535-17S

Universal Angled Abutments, 17° for TSV Implant System*

Implant Platform	Collar Height	
	2.5 mm	3.5 mm
3.5 mmD	UMUA-TSV3525-17S	UMUA-TSV3535-17S
4.5 mmD	UMUA-TSV4525-17S	UMUA-TSV4535-17S
5.7 mmD	UMUA-TSV5725-17S	UMUA-TSV5735-17S



Universal Angled Abutments, 30° for TSX and Eztec Implant Systems*

Implant Platform	Collar Height	
	3.5 mm	4.5 mm
NP (2.9 mmD)	UMUA-NP2935-30S	UMUA-NP2945-30S
3.5 mmD	UMUA-TSV3535-30S	UMUA-TSV3545-30S
4.5 mmD	UMUA-TSV4535-30S	UMUA-TSV4545-30S

Universal Angled Abutments, 30° for TSV Implant System*

Implant Platform	Collar Height	
	3.5 mm	4.5 mm
3.5 mmD	UMUA-TSV3535-30S	UMUA-TSV3545-30S
4.5 mmD	UMUA-TSV4535-30S	UMUA-TSV4545-30S
5.7 mmD	UMUA-TSV5735-30S	UMUA-TSV5745-30S



* Engaging in implant, not for use in single-unit restorations (incl. preassembled retaining screw).

The Universal Solution

Universal Components	Item No.
Implant Analog	UMUA-A
Implant Analog (0.050" screw hex)	UMUA-DA
Intraoral Scan Body	UMUA-SBIO
TiBase Scan Body, Qty 5	UMUA-SBTB5
Desktop Scan Body (0.050" screw hex)	UMUA-SBDT
Multi-Unit TiBase, 6 mm(H) (0.050" screw hex)	UMUA-TTS
Multi-Unit TiBase, 8 mm(H) (0.050" screw hex)	UMUA-TTL
Angulated Screw Channel TiBase	UMUA-ASCT
Multi-Unit Screw (0.050" screw hex)	UMUA-S
Angulated Screw Channel TiBase Screw	UMUA-ASCTS
Impression Coping	UMUA-OTIC
Impression Coping, 5 mm(H), Qty 1	UMUA-CTICS
Impression Coping, 5 mm(H), Qty 4	UMUA-CTICS4
Impression Coping, 8 mm(H), Qty 1	UMUA-CTICL
Impression Coping, 8 mm(H), Qty 4	UMUA-CTICL4
Healing Cap (0.050" screw hex)	UMUA-HCS
Temporary Cylinder	UMUA-TCS
OverdenSURE® Attachment	UMUA-ODS



Universal Tools	Item No.
Multi-Unit Driver	UMUA-D
Azure Driver Tip Adapter	ARA-DTSQ
ISO Latch, 4x4 Driver	ISO4X4A
Angulated Screw Channel Screwdriver, 24 mm(L)	ASC-SD24
Angulated Screw Channel Screwdriver, 30 mm(L)	ASC-SD30





BellaTek® Bars for Universal Multi-Unit Abutments

Your expert in high-end restorations

A reliable partner is important to ensure overall success and maintain a good reputation. With over 20 years of experience, our ZimVie Milling Center will take your expert designs and make them a reality through our simplified case submission and digital workflow.

BellaTek-designed Workflow



Lab-designed Workflow

FAST DELIVERY!
See Standard Turnaround Times for more information.



5-axis machining

The industrial 5-axis machining enables highly precise production of complex structures, such as, screw-retained implant bridge frameworks.

ZimVie Quality

Our milling technology operates with low process forces, and in combination with a long-standing experience, it helps to potentially optimize chip-removal rates with high surface quality.



Design Options for Removable Prosthetics



DOLDER® U SHAPE BAR

- Anterior clips allow for anterior/ posterior rotation of the overdenture
- Provides lateral stability to the overdenture



DOLDER EGG SHAPE BAR

- Anterior clips allow for anterior/ posterior rotation of the overdenture
- Provides lateral stability to the overdenture



PRIMARY BAR

- Most secure overdenture design
- May be used with attachments or secondary casting
- Bar can be designed with a 2° – 6° taper



HADER BAR

- Designed with clips that engage undercuts
- Provides lateral stability to the overdenture
- 4.0 mm between implants is needed for clips



COMBINATION PRIMARY BAR

- Combines a milled bar with Hader or DOLDER designs
- Provides excellent lateral stability to the overdenture
- Bar can be designed with a 2° – 6° taper



COPYMILLED BAR/Framework

- Ideal for fixed and removable prosthetic designs
- Technician-fabricated resin pattern for porcelain or acrylic resin bonded to titanium

Design Options for Fixed and Hybrid Prosthetics



HYBRID BAR DESIGN #1

- Fixed Prosthesis
- Metal lingual
- Low buccal finish line
- Titanium tissue surface



HYBRID BAR DESIGN #2

- Fixed Prosthesis
- Metal lingual
- Low buccal finish line
- Titanium tissue surface



WRAPAROUND BAR

- Fixed Prosthesis
- Acrylic resin wraparound design
- Adjustments possible to accommodate for changing tissue contours
- Easy to repair and modify the acrylic resin portion of the prosthesis



FREEFORM BAR

- Fixed Prosthesis
- Acrylic resin wraparound design



CANADA BAR

- Fixed Hybrid bar
- Low lingual finish line
- Titanium tissue surface
- Acrylic resin is processed to the bar

Follow our simple workflow

① ZimVie Portal

Go to the ZimVie Portal to see the products and services offered.



bellatekorders.zimvie.com



1. ZimVie Portal

② Register

Enter your personal information as an existing ZimVie customer or as a new customer.



2. Registration

③ Upload

Upload your case using 3Shape® or RealGUIDE®* software. Additional information can be added when you submit your order using the ZimVie Portal.

④ Review and Track

Review and track your case easily from the ZimVie portal. Any components you need can be added before you finish your order.

⑤ Final products

Receive your ZimVie customized products.



3. and 4. Upload, Review and Track your case

For more information, visit ZimVie.com

ZimVie
4555 Riverside Drive
Palm Beach Gardens, FL 33410
Phone: +1-561-776-6700
Fax: +1-561-776-1272



Unless otherwise indicated, as referenced herein, all trademarks are the property of ZimVie; and all products are manufactured by one or more of the dental subsidiaries of ZimVie Inc. (Biomet 3i, LLC, Zimmer Dental Inc., etc.) and marketed and distributed by ZimVie Dental (formerly Zimmer Biomet Dental) and its authorized marketing partners. Universal Multi-Unit Abutments, Components and Tools are manufactured by Terrats Medical S.L. Dolder® is a registered trademark of Cendres+Métaux SA. For additional product information, please refer to the individual product labeling or instructions for use. Product clearance and availability may be limited to certain countries/regions. This material is intended for clinicians use only and does not comprise medical advice or recommendations. Distribution to any other recipient is prohibited. This material may not be copied or reprinted without the express written consent of ZimVie. ZV0857 REV C 04/25 ©2025 ZimVie. All rights reserved.

